

Operation Manual



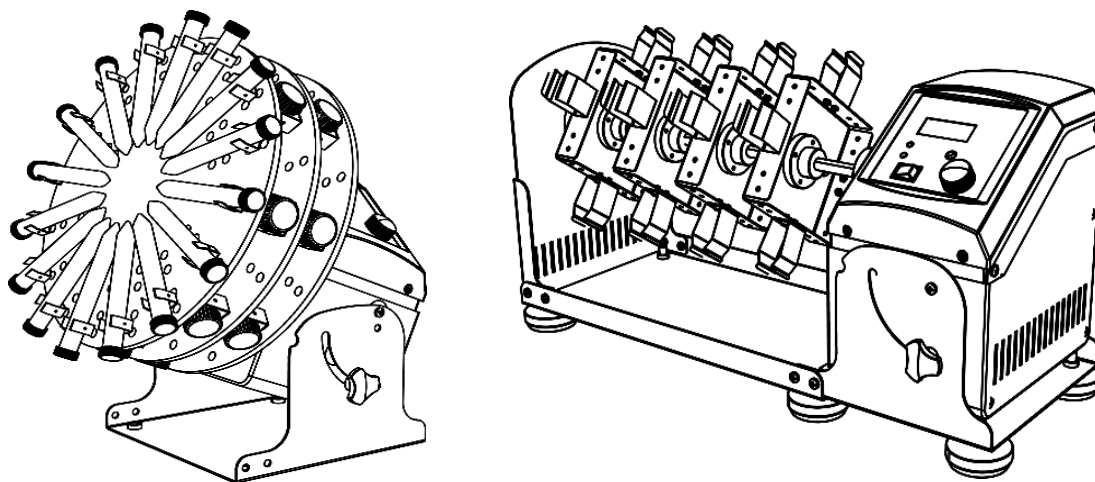
BTUR-202

Rotator

Index

1- Installation Instructions.....	3
2- Operating Procedure.....	3

01 Installation Instructions



1. Unpack and place the instrument on a stable and non-slip surface.
2. Ensure good working environment free of hazardous and flammable substances.
3. Place the unit at >10cm distance from other objects to allow good ventilation & performance.
4. Ensure that the sample carrying tubes are airtight, fixed properly to prevent the sample spillage.
5. Preparation of flammable samples might result in danger. Prepare samples that will not incur dangerous reaction during operation.
6. Ensure that the label indicated the correct voltage before connecting the device to power supply.
7. Ensure the power supply is disconnected every time before fitting the accessories. Check the instrument and its accessories for damages if any.
8. Switch power ON and check whether the screen displays normally.

02 Operating Procedure

1. Connect the power cable and the instrument starts to self-check.
2. After initialization, LCD displays the last run parameters.
3. Use 'Mode' button for speed/ time parameter adjustment.
4. Set the target speed by rotating the adjustment knob in rotation speed mode slowly to desired setting. Push the adjustment knob to confirm the set speed. After rotating the adjustment knob again, the instrument stops mixing.



Rotator

5. Press the mode key, the LCD flashes and displays the time.
6. Set the target time by rotating the adjustment knob in timer mode slowly to desired setting.
7. Confirm the set values and push the adjustment knob to start rotating.
8. The system stops automatically once the set operation time is complete or switches power OFF to stop operation while the beep sounds, indicating the set time is completed.



Email: contact@biolabscientific.com
Website: www.biolabscientific.com